



AA-HRTDx2E: Technical Data Sheet

Features:

- Vandal Resistant
- Made in USA
- Drip Deflective
- Shroud Protected Padlock
- Surface Mounted
- Accommodates Multiple Paper Styles
- Corrosion Resistant
- Lifetime Functional Limited Warranty (12-gauge)

Specifications:

- Width: 12"
- Height: 5-3/4"
- Depth: 5-5/8"

Material Options:

- 12-gauge 304L Stainless Steel
- 12-gauge 316L Stainless Steel

Finish:

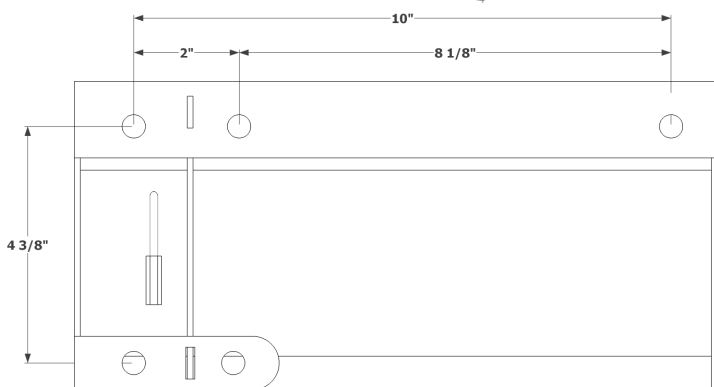
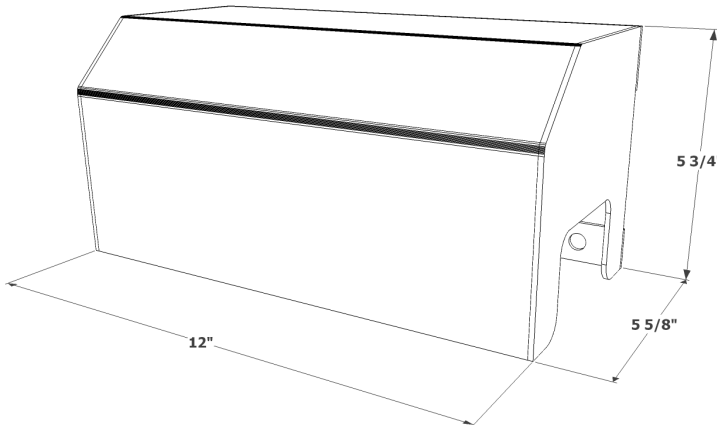
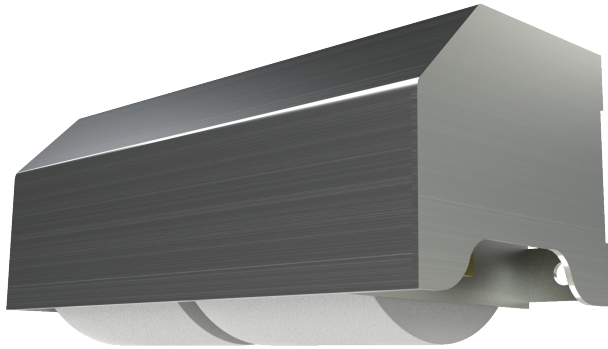
- Stainless Steel Satin # 4 Finish

Mounting:

- (3/8") Mounting Hole Placements

Capacity:

- 2 Standard Core 5-1/4"
- 2 High Density 5" Coreless



Installation: Secure fixture to wall with appropriate 3/8" Stainless Steel anchoring hardware for optimal installation strength (not provided). Recommend 3/4" or greater back bracing for walls. Partitions may require T-nuts or other suitable anchoring devices. When possible it is recommended that units be through bolted back-to-back providing optimal installation strength.

Guide Specification: Dispenser shall be constructed with American made, 12 gauge 304L or 12 gauge 316L Stainless Steel joined /w TIG welds and edges de-burred. Dispenser shall not be cross-metal contaminated during manufacturing construction. Dispenser housing shall provide protective cover for tissue paper against drip and spray. Protective shroud adds security for padlock. Dispenser shall have 3/8" mounting holes. Dispenser shall accept multiple paper styles. 12 Gauge models shall include a lifetime functional limited warranty. See website for warranty details.

Surface Mount Dispenser Shall Be:

- Model # AA-HRTDx2E



www.vandalstop.com

Phone
(530)-894-7867

Atlas American LLC
1700 Bidwell Avenue
Chico, CA 95926

E-Mail
sales@atlasamerican.com