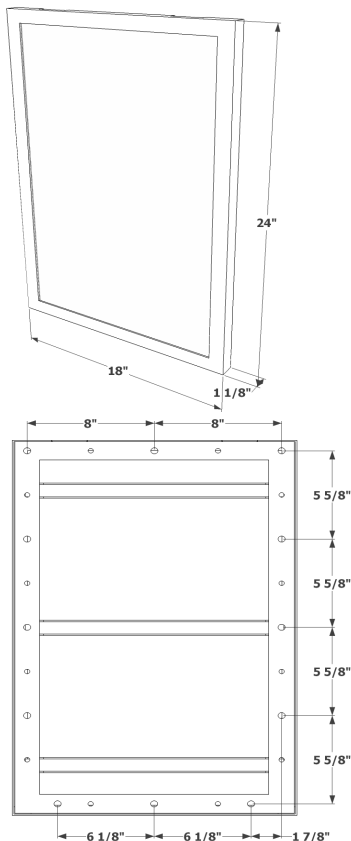
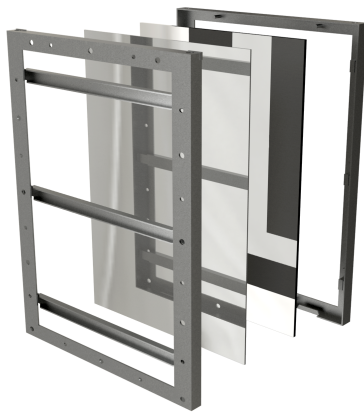




AA-MTL: Technical Data Sheet



Features:

- Vandal Resistant
- Made in USA
- Concealed Torx Security Screw Lockable
- NO GLASS! Reflective Surface is Mirror Polished Stainless Steel
- Protective Sacrificial Plexiglass
- Surface Mounted
- Corrosion Resistant
- Lifetime Functional Limited Warranty on Frame (12 gauge)

Specifications:

- Width: 18"
- Height: 24"
- Depth: 1 1/8"
- Weight: 22-24 lbs

Material Options:

- 12-gauge 304L Stainless Steel
- 12-gauge 316L Stainless Steel
- 14-gauge 304L Stainless Steel

Finish:

- #4 Brushed Stain Finish

Mounting:

- Twelve 3/8" Surface Mounting Hole Placements

Size Options:

- Custom Sizes Available by Special Order

Installation:

Secure fixture to wall with appropriate 3/8" stainless steel anchoring hardware for optimal installation strength (not provided). Recommend 3/4" or greater back bracing for walls. Partitions may require T-nuts or other suitable anchoring devices.

Guide Specification:

Mirror shall be constructed with American made 12 or 14 gauge 304L, or 12 gauge 316L stainless steel with TIG welds, polished smooth and edges de-burred. Mirror shall not be cross-metal contaminated during manufacturing. Mirror shall have twelve 3/8" mounting holes. Mirror shall have replaceable sacrificial plexiglass. Mirror is warranted for materials and workmanship. 12 Gauge Frames shall include a lifetime functional limited warranty. See website for warranty details.

Surface Mount Mirror Shall Be:

- Atlas American Model: AA-MTL
- Spec 316L Stainless Steel for Military/Maritime

www.vandalstop.com

Phone
(530)-894-7867

Atlas American LLC
1700 Bidwell Avenue
Chico, CA 95926

E-Mail
sales@vandalstop.com

