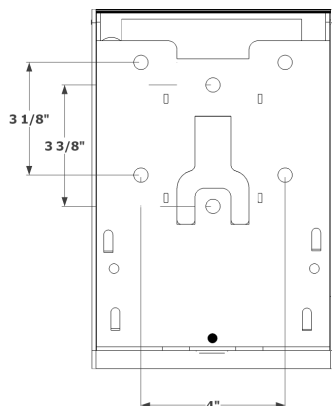
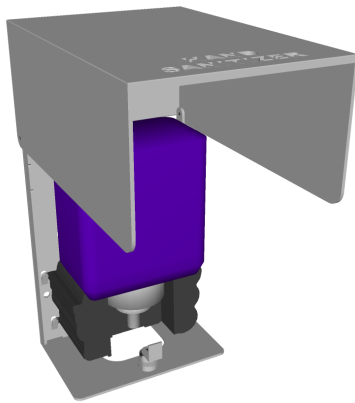
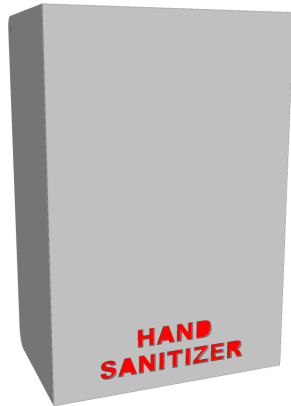




AA-SD-HS: Technical Data Sheet



Features:

- Automatic Hand Sanitizer Dispenser Protective Case
- Vandal Resistant
- Made in USA
- Hidden Secure Cylinder Lock
- Protects Expensive Soap Supplies from Theft
- Surface Mounted
- Corrosion Resistant
- Lifetime Functional Limited Warranty on Dispenser Protective Housing (12-gauge)

Specifications:

- Width: 6-3/4"
- Height: 10"
- Depth: 4-1/2"

Material Options:

- 12-gauge 304L Stainless Steel
- 12-gauge 316L Stainless Steel

Finish:

- Stainless Steel Satin # 4 Finish

Mounting:

- 6 (3/8") Mounting Hole Placements

Capacity:

- Pre-packaged 1200ml Hand Sanitizer

Installation: Secure fixture to wall with appropriate 3/8" Stainless Steel anchoring hardware for optimal installation strength (not provided). Recommend 3/4" or greater back bracing for walls. Partitions may require T-nuts or other suitable anchoring devices.

Guide Specification: Dispenser shall be constructed with American made, 12 gauge 304L or 12 gauge 316L Stainless Steel joined /w TIG welds and edges de-burred. Dispenser shall not be cross-metal contaminated during manufacturing construction. Dispenser shall have housing covering soap supplies and keying for cylinder lock shall be concealed away from ordinary line-of-sight for additional protective service. Dispenser shall have 3/8" mounting holes. 12 Gauge models shall include a lifetime functional limited warranty. See website for warranty details.

Surface Mount Dispenser Shall Be:

- Model # AA-SD-HS



www.atlasamerican.com

Phone
(530)-894-7867

Atlas American LLC
1700 Bidwell Avenue
Chico, CA 95926

E-Mail
sales@atlasamerican.com