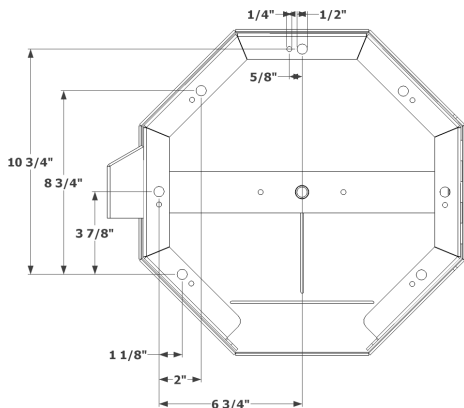
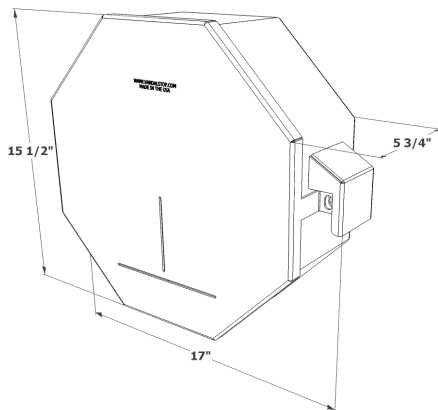
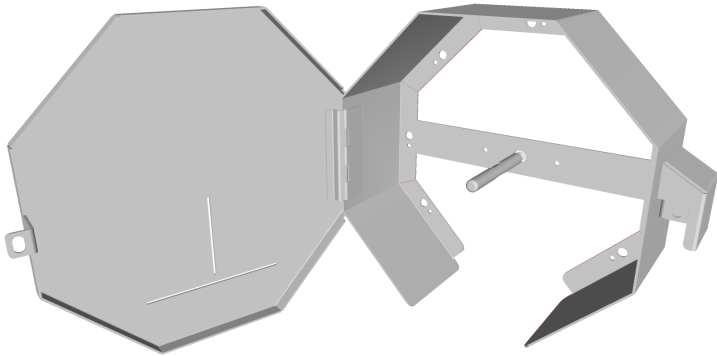




## VSP-JRDx1: Technical Data Sheet



### Features:

- Vandal Resistant
- Spray and Drip Deflective
- Protective Shroud for Padlock
- Surface Mounted
- Accommodates Multiple Paper Styles
- Corrosion Resistant
- Lifetime Functional Limited Warranty (12 gauge)

### Specifications:

- Width: 17"
- Height: 15-1/2"
- Depth: 5-3/4"
- Weight: 18lbs

### Material Options:

- 12-gauge 304L Stainless Steel
- 14-gauge 304L Stainless Steel
- 12-gauge 316L Stainless Steel

### Finish:

- #4 Brushed Satin Finish

### Mounting:

- Seven 3/8" Mounting Hole Placements

### Capacity:

- 1 Giant 12" Jumbo
- 1 Mini 9" Jumbo
- 5 Standard Core 5" (requires JRDx5 Option)
- 5 High Density 5" Coreless

### Installation:

Secure fixture to wall with appropriate 3/8" stainless steel anchoring hardware for optimal installation strength (not provided). Recommend 3/4" or greater back bracing for walls. Partitions may require T-nuts or other suitable anchoring devices. When possible it is recommended that units be through bolted back-to-back providing optimal installation strength.

### Guide Specification:

Dispenser shall be constructed with American made, 12 or 14 gauge 304L or 12 gauge 316L stainless steel joined /w TIG welds, polished smooth and edges de-burred. Dispenser shall not be cross-metal contaminated during manufacturing. Dispenser housing shall protect tissue paper from top and sides, and have protective shroud for regular padlock use. Dispenser shall have 3/8 inch mounting holes. Dispenser shall accept multiple paper styles, be drip deflective. 12 gauge units shall include a lifetime functional limited warranty. See website for warranty details.

### Surface Mount Jumbo Roll Dispenser shall be:

- Vandal Stop Products Model # VSP-JRDx1

[www.vandalstop.com](http://www.vandalstop.com)

Phone  
(530)-894-7867

Vandal Stop Products  
1700 Bidwell Avenue  
Chico, CA 95926

E-Mail  
sales@vandalstop.com

