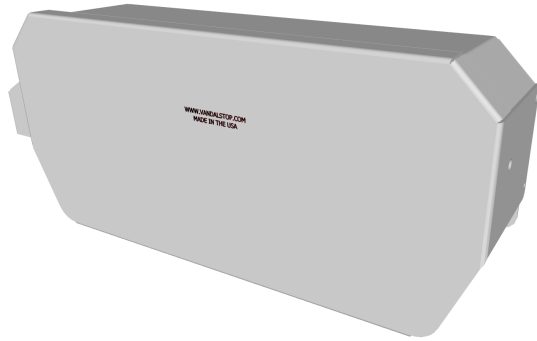




VSP-MJRD: Technical Data Sheet



Features:

- Vandal Resistant
- Spray and Drip Deflective
- Protective Shroud for Padlock
- Surface Mounted
- Accommodates Multiple Paper Styles
- Corrosion Resistant
- Lifetime Functional Limited Warranty (12 gauge)

Specifications:

- Width: 22-1/8"
- Height: 9-3/8"
- Depth: 5-1/4"
- Weight: 11lbs

Material Options:

- 14-gauge 304L Stainless Steel
- 12-gauge 304L Stainless Steel
- 12-gauge 316L Stainless Steel

Finish:

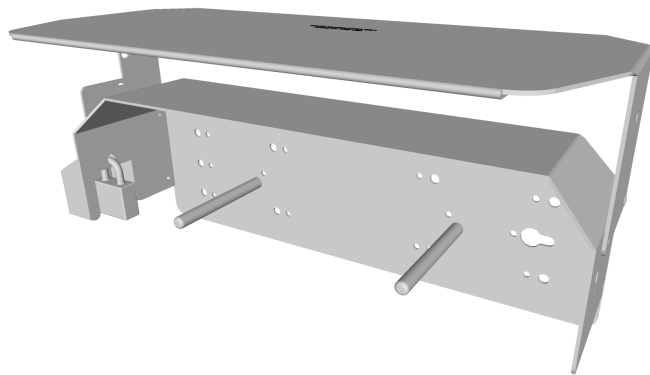
- #4 Brushed Stain Finish

Mounting:

- Eight 1/2" Surface Mounting Hole Placements

Capacity:

- 2 - 5" Standard Rolls
- 2 - 5" High Density Rolls
- 2 Standard Mini-Jumbo Rolls



Installation:

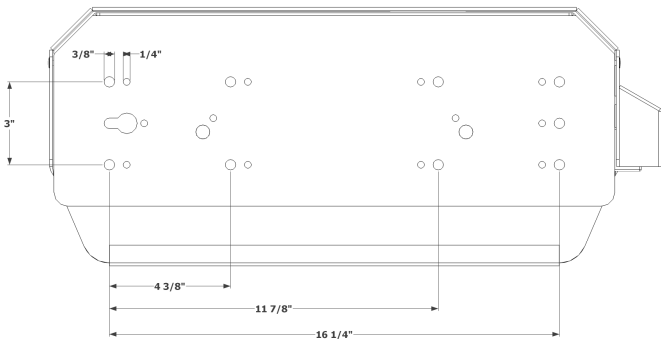
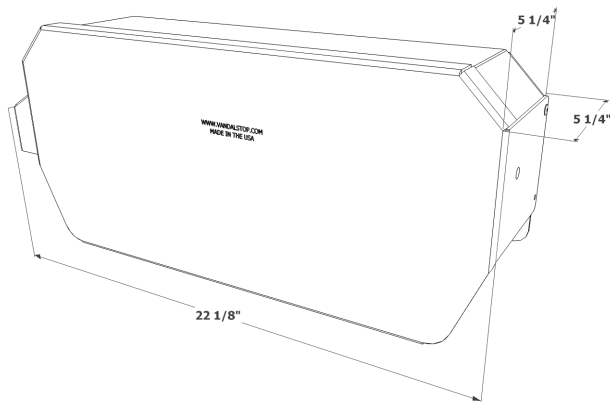
Secure fixture to wall with appropriate 1/2" stainless steel anchoring hardware for optimal installation strength (not provided). Recommend 3/4" or greater back bracing for walls. Partitions may require T-nuts or other suitable anchoring devices. When possible it is recommended that units be through bolted back-to-back providing optimal installation strength.

Guide Specification:

Dispenser shall be constructed with American made, 12 or 14 gauge 304L or 12 gauge 316L stainless steel with TIG welds, polished smooth and edges de-burred. Dispenser shall not be cross-metal contaminated during manufacturing. Dispenser housing shall protect tissue paper from top and sides, and have protective shroud for regular padlock use. Dispenser shall have eight 1/2" mounting holes. Dispenser shall accept multiple paper styles, be drip deflective and 12 gauge units shall include a lifetime functional limited warranty. See website for warranty details.

Surface Mount 2 Roll Mini Jumbo Dispenser Shall Be:

- Vandal Stop Products Model: VSP-MJRD
- Spec 316L Stainless Steel for Military/Maritime



www.vandalstop.com

Phone
(530)-894-7867

Vandal Stop Products
1700 Bidwell Avenue
Chico, CA 95926

E-Mail
sales@vandalstop.com