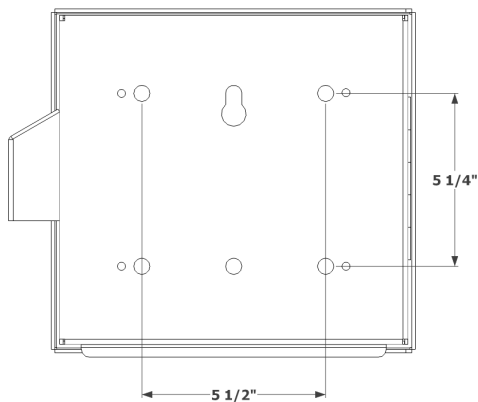
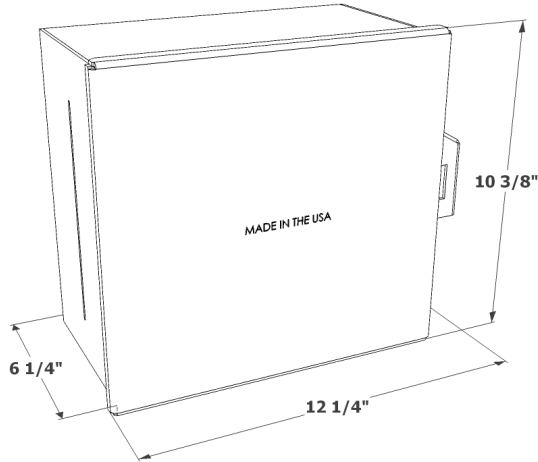
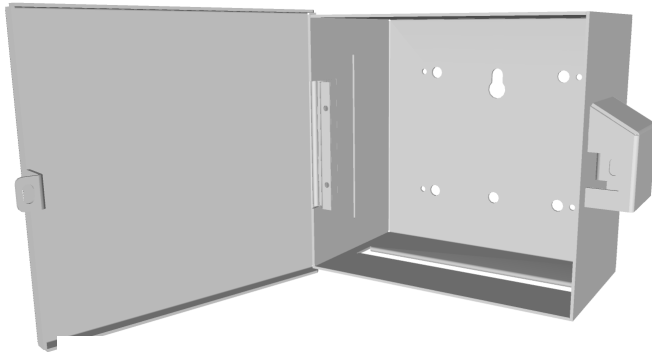




VSP-PTD-W: Technical Data Sheet



Features:

- Vandal Resistant
- Spray and Drip Deflective
- Protective Shroud for Padlock
- Surface Mounted
- Accommodates Multiple Paper Styles
- Corrosion Resistant
- Lifetime Functional Limited Warranty (12 gauge)

Specifications:

- Width: 12-1/4"
- Height: 10-3/8"
- Depth: 6-1/4"
- Weight: 11lbs

Material Options:

- 14-gauge 304L Stainless Steel
- 12-gauge 304L Stainless Steel
- 12-gauge 316L Stainless Steel

Finish:

- #4 Brushed Stain Finish

Mounting:

- Five 1/2" Surface Mounting Hole Placements

Capacity:

- Accepts Wide C-Fold and Most Multi-Fold Paper Towel Products

Installation:

Secure fixture to wall with appropriate 1/2" stainless steel anchoring hardware for optimal installation strength (not provided). Recommend 3/4" or greater back bracing for walls. Partitions may require T-nuts or other suitable anchoring devices.

Guide Specification:

Dispenser shall be constructed with American made, 12 or 14 gauge 304L or 12 gauge 316L stainless steel with TIG welds, polished smooth and edges de-burred. Dispenser shall not be cross-metal contaminated during manufacturing. Dispenser housing shall protect tissue paper from top and sides, and have protective shroud for regular padlock use. Dispenser shall have eight 1/2" mounting holes. Dispenser shall accept multiple paper styles, be drip deflective and 12 gauge units shall include a lifetime functional limited warranty. See website for warranty details.

Surface Mount Wide Paper Towel Dispenser Shall Be:

- Vandal Stop Products Model: VSP-PTD-W
- Spec 316L Stainless Steel for Military/Maritime



www.vandalstop.com

Phone
(530)-894-7867

Vandal Stop Products
1700 Bidwell Avenue
Chico, CA 95926

E-Mail
sales@vandalstop.com