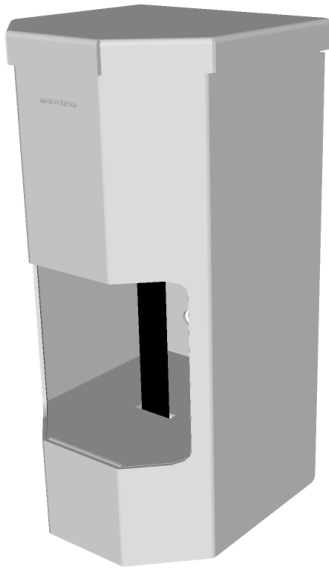




## VSP-RDx2 : Technical Data Sheet



### Features:

- Vandal Resistant
- Drip Deflective
- Surface Mounted
- Corrosion Resistant
- Lifetime Functional Limited Warranty (12 gauge)

### Specifications:

- Width: 5-7/8"
- Height: 13-1/8"
- Depth: 6-3/8"
- Weight: 8.5 lbs

### Material Options:

- 12-gauge 304L Stainless Steel
- 14-gauge 304L Stainless Steel
- 12-gauge 316L Stainless Steel

### Finish:

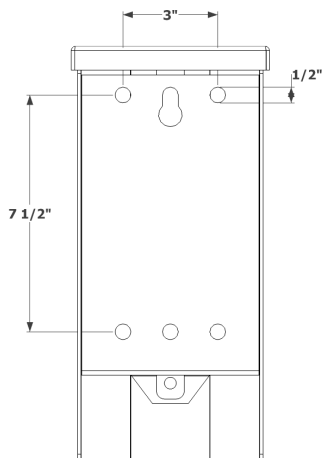
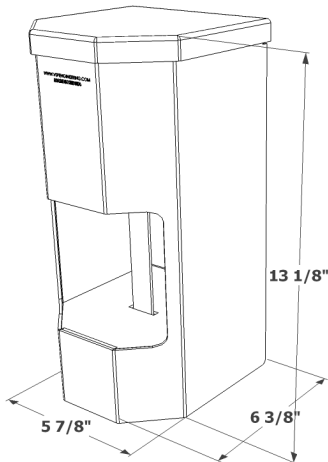
- #4 Brushed Satin Finish

### Mounting:

- Six 1/2" Surface Mounting Hole Placements

### Capacity:

- Two Standard Core 5" Toilet Tissue Rolls



### Installation:

Secure fixture to wall with appropriate 1/2" stainless steel anchoring hardware for optimal installation strength (not provided). Recommend 3/4" or greater back bracing for walls. Partitions may require T-nuts or other suitable anchoring devices. When possible it is recommended that units be through bolted back to back providing optimal installation strength.

### Guide Specification:

Dispenser shall be constructed with American made 12 or 14 gauge 304L stainless steel with TIG welds, polished smooth and edges de-burred. Dispenser shall not be cross-metal contaminated during manufacturing. Dispenser shall have housing covering spare tissue roll and have protective shroud for regular padlock use. Dispenser shall have 1/2" mounting holes. Dispenser shall be drip deflective. 12 gauge units shall include a lifetime functional limited warranty. See website for warranty details.

### Surface Mount 2 Roll Dispenser Shall Be:

- Vandal Stop Products Model: VSP-RDx2

[www.vandalstop.com](http://www.vandalstop.com)

Phone  
(530)-894-7867

Vandal Stop Products  
1700 Bidwell Avenue  
Chico, CA 95926

E-Mail  
sales@vandalstop.com

