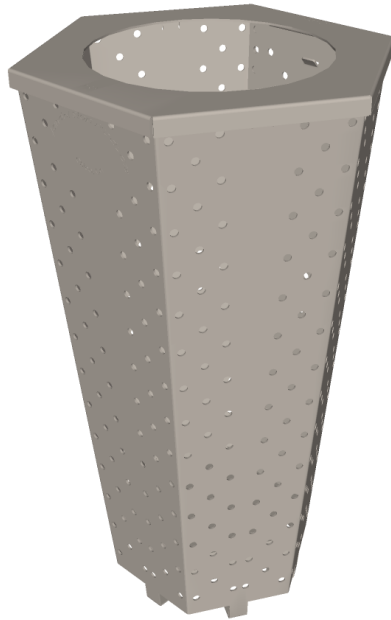




VSP-TR-001: Technical Data Sheet



Features:

- Vandal Resistant
- Made in USA
- Base Mount Anchored
- Top Lid Opening (Lockable)
- Padlock Security Shroud (Optional)
- Attractive and Sturdy Hexagonal Form Factor
- Easily Brush, Spray or Hose Cleaning
- Internal Bag Hanging Tabs
- Non-Floodable
- Tapered Design To Ease Bag Removal
- Corrosion Resistant
- Lifetime Functional Limited Warranty (12 gauge)

Specifications:

- Width: 17-1/8"
- Height: 29"
- Depth: 14-7/8"
- Weight: 29lbs

Material Options:

- 12-gauge 304L Stainless Steel
- 12-gauge 316L Stainless Steel

Finish:

- #4 Brushed Satin Finish

Mounting:

- Six 1/2" Surface Mounting Hole Placements

Capacity:

- 15.5 US Gallons

Options:

- Padlock Shroud

Installation:

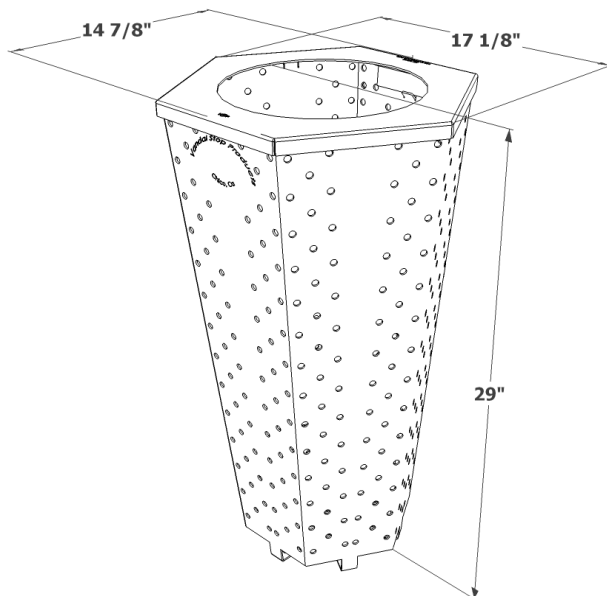
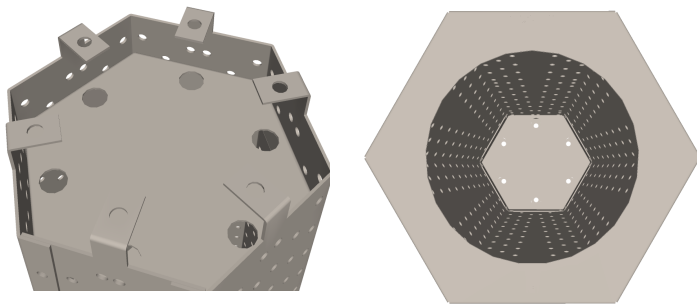
Secure fixture to floor with appropriate 1/2" stainless steel anchoring hardware (not provided) for optimal installation strength.

Guide Specification:

Waste Receptacle shall be constructed with American made 12 gauge 304L or 316L stainless steel with TIG welds, polished smooth and edges de-burred. Waste receptacle shall not be cross-metal contaminated during manufacturing. Waste Receptacle shall have 1/2" mounting holes and shall include a lifetime functional limited warranty. See website for warranty details.

Base Mounted Free-Standing Trash Receptacle Shall Be:

- Vandal Stop Products Model # VSP-TR-001



www.vandalstop.com



Phone
(530)-894-7867

Vandal Stop Products
1700 Bidwell Avenue
Chico, CA 95926

E-Mail
sales@vandalstop.com